

REV/版本	DESCRIPTION/变更内容	DATE/日期	DRAWN BY/绘图

1. Product main performance/产品主要性能指标:

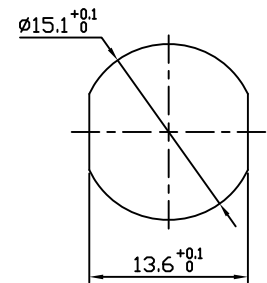
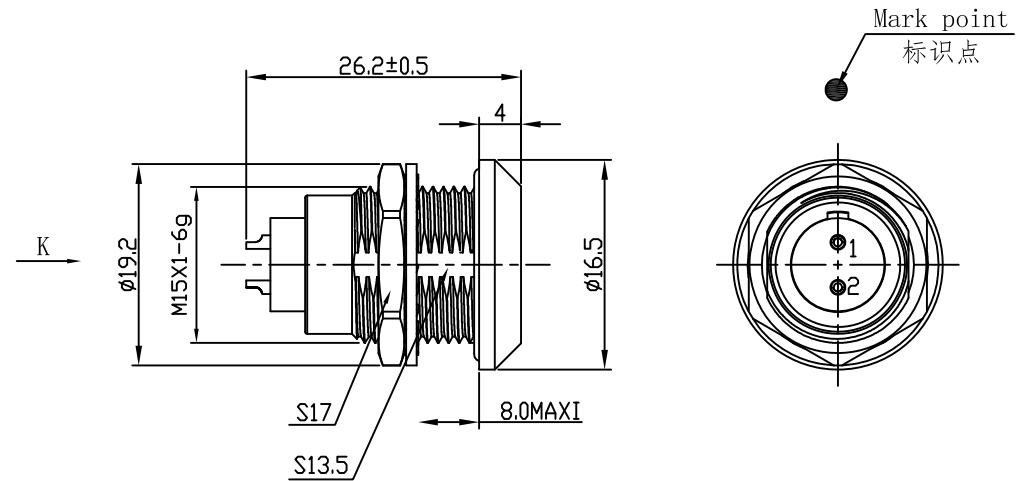
Operating Temperature/工作温度: $-55^{\circ}\text{C} \sim 125^{\circ}\text{C}$
Humidity(max)/最大潮湿: $\leq 95\%$ [at 60 deg C / 140 F]
Shielding /屏蔽性能: 75dB(10MHz) 40dB(1GHz)
Salt Spray Corrosion/盐雾: 96hr
P op (max)/最大环境压力: 60 bar (870 psi)
Insert Configuration/针芯配置: 2B.902 2Thermocouple Pairs
Pin Size/接触件直径: $\phi 0.9\text{mm}$
R (Max)/接触电阻: $\leq 9\text{m}\Omega$
Insulation resistance/绝缘电阻: $5000\text{M}\Omega$ (测试电压500V(DC))
Withstand voltage/耐电压: 7500V(AC)
Rated Current/额定电流: 10.0A

2. Mechanical data/机械特性:

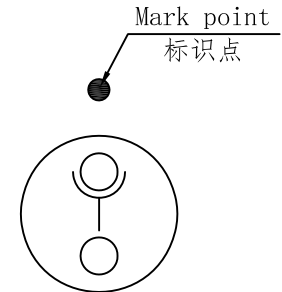
Vibration/振动: 15g[10Hz~2000Hz]
Shock Resistance/冲击: 100g[6ms]
Endurance (Shell)/机械寿命: 5000+

3. Other Specification/其它规格:

Contact PIN/接触件: gold plated brass/铜镀金
Housing Material/外壳材质: chrome plated brass/铜镀铬
Other metal spare parts/其余金属件: nickel plated brass/铜镀镍
Insulator material/绝缘材料: PPS
IP Rating/防护等级: IP68
*ALL MATERIALS ARE RoHS COMPLIANT/所有材料均符合RoHS要求



Panel cut-outs
建议安装开孔尺寸



View k
K向孔位排列

TOLERANCES UNLESS OTHERWISE SPECIFIED: 未标注尺寸公差: ± 0.1 未标注角度公差: $\pm 0.5^{\circ}$	First ANGLE PROJECTION	Product name/产品名称	
	SIZE: A4	UNITS: mm	YTL2B0HGLC902J
	SCALE: 1: 1	SHEET: 1 OF 1	
DRAWN BY: 绘图:	DATE/日期:	QM NO 料号	REV/ 版本 A1
CHECKED BY: 审核:	DATE/日期:	DRAWING NO 图号	
APPROVED BY: 核准:	DATE/日期:	CUSTOMER NO 客户料号	